

DIGITAL INDOOR CLOCK

DK

The DK series calendar clocks display simultaneously information about time and date. The date information can be displayed in more than 20 languages. One single display unit can be programmed to alternate between three different languages.



6 STEPS TO YOUR DK

To make sure your digital clock meets all your requirements, you can assemble the components individually. Choose from various sizes, colors, and display variants, as well as installation options and additional options. Configure your DK according to your wishes, suitable for rooms and general conditions. Our experts will be happy to help you if you have questions.

1.

Define the display type

FORMAT

The DK version is available with four or six-digit time display. digits offer multiple variations. The reading distance varies depending on the color, lighting, viewing angle, etc. The order code is composed as follows:

Digit height	10:08	10:08 25	Reading distance
57 mm	57.4	57.6	25–30 m

2.

Choose your display color

DISPLAY COLOR

The display background is black, offering optimal display contrast with a viewing angle of 160 degrees. The digit color is selectable. The available variants:



red (R)

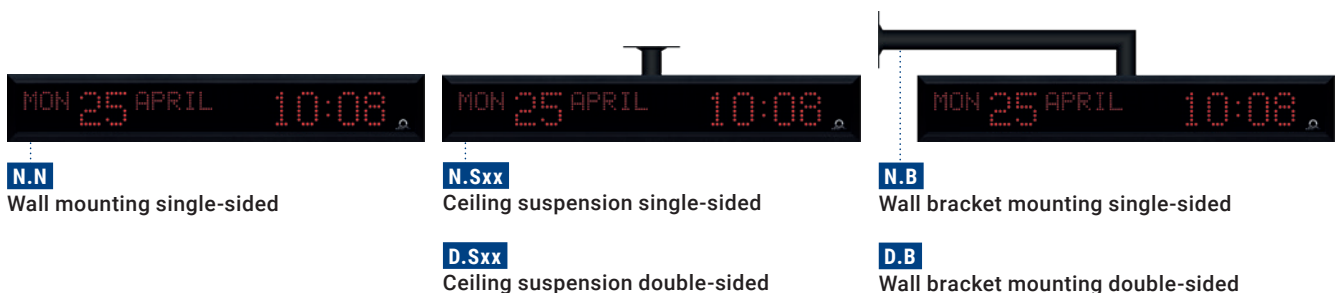
green (G)

3.

Which installation solution works?

INSTALLATION SOLUTION

Choose the single- or double-sided solution and pick a fitting installation option.



N.N
Wall mounting single-sided

N.Sxx
Ceiling suspension single-sided

N.B
Wall bracket mounting single-sided

D.Sxx
Ceiling suspension double-sided

D.B
Wall bracket mounting double-sided

xx = 5/10/30/50cm

4. Which time code do you need?

SYNCHRONIZATION

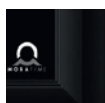
The DK is designed for all common synchronization types, and is also a good solution as a supplement to existing systems.

CODE	SYNCHRONIZATION	POWER SUPPLY
STD	Autonomous / MOBALine / (un)polarized 24 VDC pulses	Mains
SI	Like STD, with RS-232, RS-485 and IRIG-B interface	Mains
NTP	NTP	Mains
PoE	NTP	PoE
PoEclass	Like PoE, supports performance class output	PoE

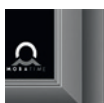
5. Which housing color works?

HOUSING COLOR

The aluminum housing is usually ordered in black or silver anodized. It is available in any RAL color on request.



black



silver



RAL

on request

6. Want additional options?

OPTIONS

On request, the DK can be equipped with the following additional features:

CODE	OPTION
VDC	Power supply via 18–56 VDC
VDC 12V	Power supply via 12–16 VDC
REL	Internal relay

Do you need accessories?

ACCESSORIES

CODE	ACCESSORY
IR	remote IR controller
AD 650	DCF77 radio signal receiver
GNSS 4500	GNSS receiver including antenna
SK	keyboard for stopwatch control, cable 5m
TP 3m	temperature sensor, IP 66, cable 3m
TP 30m	temperature sensor, IP 66, cable 30m
TP RS485	temperature sensor with RS 485 interface, power supply 12 VDC, cable between sensor and interface 3 m (for SI version only)
TP LAN	temperature sensor with Ethernet interface, power supply 5 VDC, cable between sensor and interface 3 m (for NTP, PoE and WiFi version only)

YOUR DK CLOCK IS COMPLETE

You can now order your DK and calculate the corresponding code. Enter the abbreviation for each component of your choice in the bright field and find your product code. It can be used immediately as an order code.

My DK clock DK.

1. **Format** Code
2. **Display color** Code
3. **Installation solution** Code
4. **Synchronization** Code
5. **Housing color** Code
6. **Option** Code

Example order code

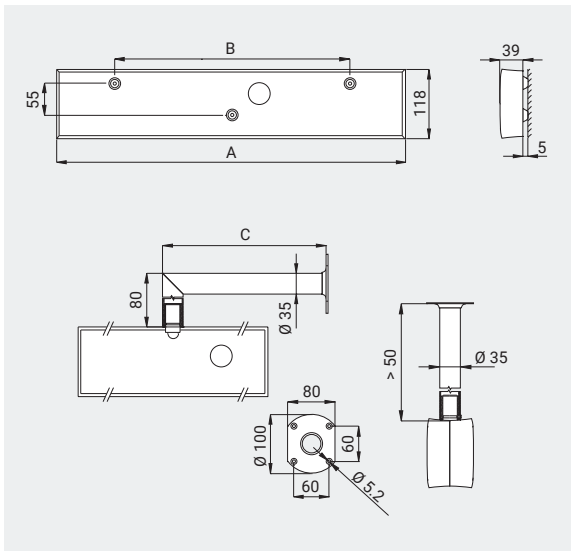


	1.	2.	3.	4.	5.	6.
DK.	57.4.	R.	N.N.	STD.	black.	
DK	digit height 57mm	red display	wall mounting, single-sided	standard version	black housing	no option

TECHNICAL DATA

DK		57.4	57.6
Digit height (mm)		57	57/38
Character height (mm)		30	
Date display format		Weekday: 3 digits Date: Day + 8 digits month name Supported languages: English, German, French, Italian, Russian, Spanish, Portuguese, Polish, Hungarian, Dutch, Danish, Finnish, Swedish, Norwegian, Serbian (Latin/Cyrillic), Croatian, Czech, Slovak, Slovene, Romanian, Bulgarian, Greek	
Display features		Time display in 12-hour or 24-hour format Alternating display of date and temperature (up to two temperatures with description in °C or °F, with external temperature sensor connected) ¹ Automatic or manual display brightness adjustment Stopwatch (count up to 24 hours, countdown from set value, display of time intervals, freezing of display...) ¹ Stopwatch operation via push buttons, IR remote control ¹	
Material		Housing: aluminum Cover glass: anti-reflective plexiglass	
Power supply		Standard: 100 – 240 VAC, 50 – 60 Hz VDC (option, not for PoE version): 24 VDC PoE version: PoE (IEEE 802.3af class 0)	
Power consumption (VA)	SS	7	8
	DS	11	16
	SS PoE	7	8
	DS PoE	11	15
Quartz accuracy at 20 °C		± 0.1 seconds/day without synchronization (after 24 hours of synchronization at constant temperature)	
RTC backup/ quartz-based time maintenance	Mains power supply	from lithium battery: > 2 years (without power supply) / > 15 years (with power supply)	
	PoE power supply	no time maintenance	
Temperature precision		-25 to +85 °C: ±0.5 °C, -50 to +125 °C: ±2.0 °C	
Operating conditions		-5 to +55 °C (0 to 95% relative humidity, non-condensing)	
Degree of protection		IP 40	
Standards		2002/96/EC / 2011/65/EU / 2014/30/EU / 2014/35/EU / EN 50121-4 / EN 55022 / EN 55024 / EN 60950-1	
Weight (kg)	SS	2.6	3.3
	DS	4	5
Dimensions (in mm, see below)	A	735	800
	B	460	540

SS = single-sided; DS = double-sided
¹ only with external temperature sensor



LE-800450.23 / 2022

*Have questions?
We are happy to help.*

Moser-Baer AG | Spitalstrasse 7 | CH-3454 Sumiswald
 Tel. 034 432 46 46 | Fax 034 432 46 99
 info@mobatime.com | www.mobatime.com

